



800 Rt 3 South
 Gambrills MD, 21054
 1-800-833-9310
 410-544-1987
 Fax # 410-923-1090

www.midatlanticdeckandfence.com
 Sales@madfence.com

If you have any questions regarding our on-line catalog. Please don't hesitate to call we would be happy to assist

Vinyl Railing 2011

One stop shopping for all your Railing needs

Use The Material The Professionals Use

Vinyl Railing Services We Offer

- Boxed Railing Kits 36" Tall And 42" For Commercial
- 4x4, 5x5 and 6x6 Railing Post Options
- Vinyl Porch Columns
- Round Taperd Vinyl Columns 8" and 10"
- Deck Gates To Match Railing Style
- Custom Routing For Specialty Projects
- Custom Bent Shapes
- Post Caps and Accessories
- 3 Colors White, Tan and Khaki
- Plastic Lattice, Diamond and Square
- Wrap and Snap Wood Post Covers
- Coming Soon Post and Step Lights
- Vinyl Pergolas and Trellises
- Vinyl Privacy Screening



Contractors and Dealers Welcome



Multiplier
 0.80



NOTE: Only items priced in red will adjust when multiplier is changed
 All Prices In red automatically adjust when you enter your multiplier
 To change back to suggested retail enter a 1 in the multiplier box
 THIS OPTION IS NOT AVAILABLE FOR ON-LINE SALES

1

Check Some Of These Projects Out !!!!! You Can Do It !!!!



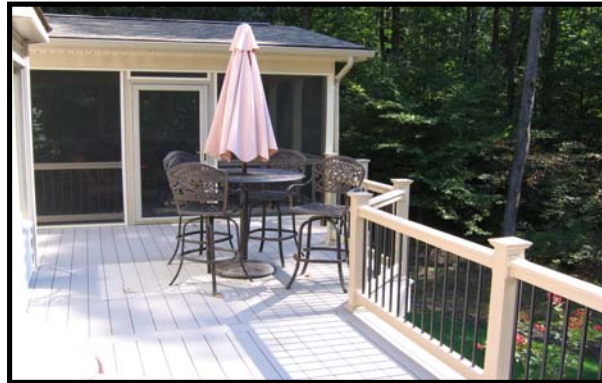
Ipe Decking With White Vinyl Railing
Found on Page 3 & 4



Vinyl Railings, Lattice Skirt and Pergola
Found on Page 3 & 4



Azek Decking With Bench and Vinyl Railings
Found on Page 3 & 4



Azek Decking Khaki Railings With Decorator Balusters
Found On Page 7



Azek Decking With Black Decorator Balusters
Found On Page 7



Privacy Screen With Diamond Accent
Found On Page 18 to 21

Indoor Showroom and Outdoor Displays

Available In White, Tan and Khaki





800 Rt 3 South
 Gambrills MD, 21054
 1-800-833-9310
 410-544-1987
 Fax # 410-923-1090
 www.midatlanticdeckandfence.com
 Sales@madfence.com

Shipping Available

Boxed Railing Kits 36" Ready To Assemble

Note: Mid Atlantic offers two series of railing kits the VR-100 and the VR-200. The differences are
 The VR-110 Series Has Aluminum Reinforcement in the top rail only to meet ICC requirements
 The VR-120 Series Has Aluminum Reinforcement in the top and bottom rail for added strength and Exceeds ICC Req.



VR-110	Kit Includes: (1)- T-Rail Top Rail, (1)- 2" x 3-1/2" Bottom Rail, 1-3/8" x 1-3/8" .080 wall Square Balusters, 2-Rail Bracket Kits and (1) Aluminum (H) Stiffener Reinforcement in Top Rail Only.				
		Special Order			
Part #	Description Single Aluminum Kits	White	Tan**	Khaki**	
VR-1141W	4' Vinyl Railing Kit I 36" Tall Straight White - Square Balusters	\$57.99	\$66.69	\$69.59	
VR-1151W	5' Vinyl Railing Kit I 36" Tall Straight White - Square Balusters	\$69.30	\$79.69	\$83.16	
VR-1161W	6' Vinyl Railing Kit I 36" Tall Straight White - Square Balusters	\$73.83	\$84.90	\$88.59	
VR-1181W	8' Vinyl Railing Kit I 36" Tall Straight White - Square Balusters	\$93.26	\$107.24	\$111.91	
VR-11101W	10' Vinyl Railing Kit I 36" Tall Straight White - Square Balusters	Na	Na	Na	

**Almond and Khaki are non-stock items and are made to order

VR-120	Kit Includes: (1)- T-Rail Top Rail, (1)- 2" x 3-1/2" Bottom Rail, 1-3/8" x 1-3/8" .080 Wall Square Balusters, 2-Rail Bracket Kits and (2) Aluminum (H) Stiffener Reinforcement in Top and Bottom Rail. (exceeds national building code)				
		White In-Stock			
Part #	Description Double Aluminum Kits	White	Tan**	Khaki**	
VR-1241W	4' Vinyl Railing Kit II 36" Tall Straight White - Square Balusters	\$65.71	\$75.57	\$78.86	
VR-1251W	5' Vinyl Railing Kit II 36" Tall Straight White - Square Balusters	\$79.51	\$91.43	\$95.41	
VR-1261W	6' Vinyl Railing Kit II 36" Tall Straight White - Square Balusters	\$85.83	\$98.70	\$102.99	
VR-1281W	8' Vinyl Railing Kit II 36" Tall Straight White - Square Balusters	\$109.83	\$126.30	\$131.80	
VR-12101W	10' Vinyl Railing Kit II 36" Tall Straight White - Square Balusters	Special Order \$136.78	\$157.30	\$164.14	

White In-Stock

Stair Rail Kits Require Aluminum In Top And Bottom Rail					
Part #	Description	White	Tan**	Khaki**	
VR-1241WS	4' Vinyl Railing Kit II 36" Tall Stair White - Square Balusters	\$63.36	\$72.87	\$76.03	
VR-1261WS	6' Vinyl Railing Kit II 36" Tall Stair White - Square Balusters	\$87.06	\$100.12	\$104.47	
VR-1281WS	8' Vinyl Railing Kit II 36" Tall Stair White - Square Balusters	\$111.06	\$127.72	\$133.27	

Deck Gates For Square Balusters

NOTE: Deck gates come with standard stainless steel **black** adjustable hinges and gravity latch. Gates are sold in 1" Increments from 36" to 60" wide. Please specify the exact opening we will adjust for the hardware. Hardware can be painted by customer

	White		Tan		Khaki	
Width	36" to 48"	49" x 60"	36" to 48"	49" x 60"	36" to 48"	49" x 60"
	\$244.00	\$265.00	\$281.00	\$304.00	\$293.00	\$317.00
Part #	DGSQ-3648W	DGSQ-4960W	DGSQ-3648T	DGSQ-4960T	DGSQ-3648K	DGSQ-4960K

Deck Gates Include Hardware



**Tan and Khaki are non-stock items and are made to order

For Tan Replace The W With a T For Khaki Replace The W With a K
 Prices Are Subject To Change Without Notice

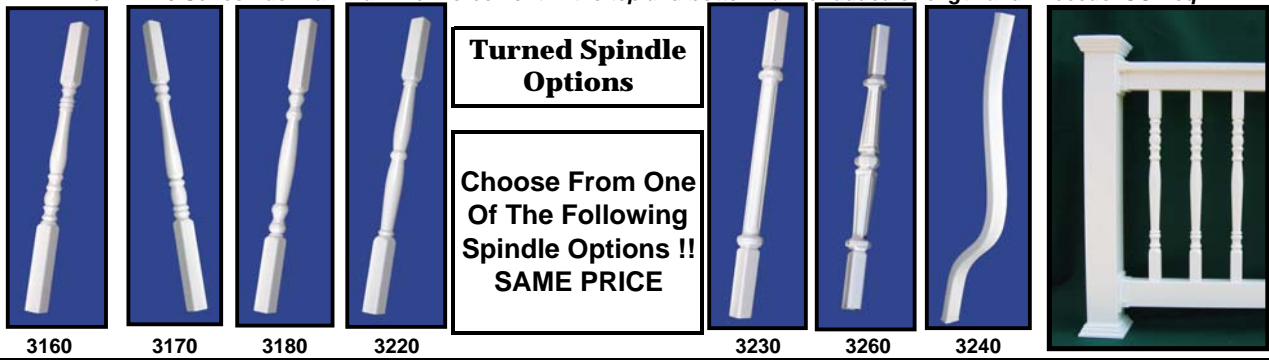


800 Rt 3 South
 Gambrills MD, 21054
 1-800-833-9310
 410-544-1987
 Fax # 410-923-1090
 www.midatlanticdeckandfence.com
 Sales@madfence.com

Shipping Available

Turned Spindel Railing Kits 36" Ready To Assemble

Note: Mid Atlantic offers two series of railing kits the VR-100 and the VR-200. The differences are
 The VR-210 Series Has Aluminum Reinforcement in the top rail only to meet ICC requirements
 The VR-220 Series Has Aluminum Reinforcement in the top and bottom rail for added strength and Exceeds ICC Req.



Turned Spindel Options

Choose From One Of The Following Spindel Options !!
SAME PRICE

VR-210	Kit Includes: (1)- T-Rail Top Rail, (1)- 2" x 3-1/2" Bottom Rail, 1-1/2" x 1-1/2" Turned Balusters 2- Railing Bracket Kits and 1-Aluminum Reinforcement in Top Rail Only.				Special Order
Part #	Description Single Aluminum Kits	White**	Tan**	Khaki**	
VR-2141W	4' Vinyl Railing Kit I 36" Tall Straight White - Colonial Balusters	\$71.64	\$82.38	\$85.96	
VR-2151W	5' Vinyl Railing Kit I 36" Tall Straight White - Colonial Balusters	\$89.69	\$103.14	\$107.62	
VR-2161W	6' Vinyl Railing Kit I 36" Tall Straight White - Colonial Balusters	\$98.11	\$112.82	\$117.73	
VR-2181W	8' Vinyl Railing Kit I 36" Tall Straight White - Colonial Balusters	\$123.39	\$141.90	\$148.06	
VR-21101W	10' Vinyl Railing Kit I 36" Tall Straight White - Colonial Balusters	Na	Na	Na	

**Almond and Khaki are non-stock items and are made to order

VR-220	Kit Includes: (1)- T-Rail Top Rail, (1)- 2" x 3-1/2" Bottom Rail, 1-1/2" x 1-1/2" Turned Balusters 2- Railing Bracket Kits and (2) Aluminum Reinforcement in Top and Bottom Rail. (exceeds national building code)				Special Order
Part #	Description Double Aluminum Kits	White**	Tan**	Khaki**	
VR-2241W	4' Vinyl Railing Kit II 36" Tall Straight White - Colonial Balusters	\$80.86	\$89.41	\$93.30	
VR-2251W	5' Vinyl Railing Kit II 36" Tall Straight White - Colonial Balusters	\$101.76	\$112.52	\$117.41	
VR-2261W	6' Vinyl Railing Kit II 36" Tall Straight White - Colonial Balusters	\$112.45	\$129.32	\$134.94	
VR-2281W	8' Vinyl Railing Kit II 36" Tall Straight White - Colonial Balusters	\$143.21	\$164.69	\$171.85	
VR-22101W	10' Vinyl Railing Kit II 36" Tall Straight White - Colonial Balusters	\$181.35	\$208.55	\$217.62	

Stair Rail Kits Require Aluminum In Top And Bottom Rail		Special Order			
		White**	Tan**	Khaki**	
VR-2241WS	4' Vinyl Railing Kit II 36" Tall Stair White - Colonial Balusters	\$83.57	\$96.10	\$100.28	
VR-2261WS	6' Vinyl Railing Kit II 36" Tall Stair White - Colonial Balusters	\$116.57	\$134.05	\$139.88	
VR-2281WS	8' Vinyl Railing Kit II 36" Tall Stair White - Colonial Balusters	\$148.55	\$170.84	\$178.26	

Deck Gates For Turned Balusters		White		Tan		Khaki	
Width		36" to 48"	49" x 60"	36" to 48"	49" x 60"	36" to 48"	49" x 60"
		\$262.00	\$292.00	\$301.00	\$335.00	\$314.00	\$350.00
Part #		DGTR-3648W	DGTR-4960W	DGTR-3648T	DGTR-4960T	DGTR-3648K	DGTR-4960K

NOTE: Deck gates come with standard stainless steel **black** adjustable hinges and gravity latch. Gates are sold in 1" Increments from 36" to 60" wide. Please specify the exact opening we will adjust for the hardware. Hardware can be painted by customer

Deck Gates Include Hardware



**White, Tan and Khaki are non-stock items and are made to order
 For Tan Replace The W With a T For Khaki Replace The W With a K
 Prices Are Subject To Change Without Notice

4

Revised 6/14/2011



800 Rt 3 South
 Gambrills MD, 21054
 1-800-833-9310
 410-544-1987
 Fax # 410-923-1090
 www.midatlanticdeckandfence.com
 Sales@madfence.com

Shipping Available

Boxed Railing Kits 42" Ready To Assemble Commercial Grade

Commercial 42" Railing Kits

The CVR-120 Series Has Aluminum Reinforcement in the top and bottom rail for added strength and Exceeds ICC Req.



42" Boxed Railing Kits

CVR-120 Kit Includes: 1- T-Rail Top Rail, 1- 2" x 3-1/2" Bottom Rail, 1-3/8" x 1-3/8" Square Balusters
 2- LMT Bracket Kits and 2- Aluminum Reinforcement In Top and Bottom Rail

Special Order

Part #	Description 42" Boxed Railing Kits Straight	White**	Tan**	Khaki**
CVR-1241W	4' Vinyl Railing Kit II 42" Tall Straight White - Square Balusters	\$71.94	\$86.33	\$88.85
CVR-1251W	5' Vinyl Railing Kit II 42" Tall Straight White - Square Balusters	\$87.12	\$104.54	\$107.59
CVR-1261W	6' Vinyl Railing Kit II 42" Tall Straight White - Square Balusters	\$94.34	\$113.20	\$116.50
CVR-1281W	8' Vinyl Railing Kit II 42" Tall Straight White - Square Balusters	\$121.61	\$145.93	\$150.19

42" Stair Rail Kits

Special Order

	Description 42" Boxed Railing Kits Stair	White**	Tan**	Khaki**
CVR-1241WS	4' Vinyl Railing Kit II 42" Tall Stair White - Square Balusters	\$74.55	\$84.58	\$87.04
CVR-1261WS	6' Vinyl Railing Kit II 42" Tall Stair White - Square Balusters	\$96.80	\$116.16	\$119.54
CVR-1281WS	8' Vinyl Railing Kit II 42" Tall Stair White - Square Balusters	\$124.07	\$148.89	\$153.23

**White, Tan and Khaki are non-stock items and are made to order



For Tan Replace The W With a T For Khaki Replace The W With a K

5

Prices Are Subject To Change Without Notice

Revised 6/14/2011



800 Rt 3 South
 Gambrills MD, 21054
 1-800-833-9310
 410-544-1987
 Fax # 410-923-1090
 www.midatlanticdeckandfence.com
 Sales@madfence.com

Shipping Available

Need Railing Parts and Pieces Don't Buy Another Box

T-Railing Parts							
		Part #	White	Part #	Tan	Part #	Khaki
3-1/2" x 3-1/2" T-Rail White Straight Rail	4'	4TRW	\$9.98	4TRT	\$11.48	4TRK	\$11.98
	5'	5TRW	\$13.31	5TRT	\$15.31	5TRK	\$15.97
	6'	6TRW	\$14.97	6TRT	\$17.22	6TRK	\$17.97
	8'	8TRW	\$19.96	8TRT	\$22.96	8TRK	\$23.96
	10'	10TRW	\$24.95	10TRT	\$28.70	10TRK	\$29.94
3-1/2" x 3-1/2" T-Rail White Stair Rail			White	Part #	Tan	Part #	Khaki
	4'	4TRSW	\$10.79	4TRST	\$12.41	4TRSK	\$12.95
	5'	5TRSW	\$14.39	5TRST	\$16.55	5TRSK	\$17.27
	6'	6TRSW	\$16.19	6TRST	\$18.62	6TRSK	\$19.43
	8'	8TRSW	\$21.58	8TRST	\$24.82	8TRSK	\$25.90
10'	10TRSW	\$26.98	10TRST	\$31.02	10TRSK	\$32.37	
2 x 3-1/2in Railing Parts							
		Part #	White	Part #	Tan	Part #	Khaki
2 x 3-1/2" Bottom Rail Std Straight Rail	4'	423W	\$8.79	423T	\$10.11	423K	\$10.55
	5'	523W	\$11.72	523T	\$13.48	523K	\$14.07
	6'	623W	\$13.19	623T	\$15.17	623K	\$15.83
	8'	823W	\$17.58	823T	\$20.22	823K	\$21.10
	10'	1023W	\$21.98	1023T	\$25.27	1023K	\$26.37
2 x 3-1/2" Bottom Rail Std Stair Rail			White	Part #	Tan	Part #	Khaki
	4'	423SW	\$8.79	423ST	\$10.11	423SK	\$10.55
	5'	523SW	\$11.72	523ST	\$13.48	523SK	\$14.07
	6'	623SW	\$13.19	623ST	\$15.17	623SK	\$15.83
	8'	823SW	\$17.58	823ST	\$20.22	823SK	\$21.10
10'	1023SW	\$21.98	1023ST	\$25.27	1023SK	\$26.37	
Aluminum Inserts							
Aluminum Insert		Part #	Cost Ea				
	4'	4AI	\$14.92				
	5'	5AI	\$18.64				
	6'	6AI	\$22.37				
	8'	8AI	\$29.83				
	10'	10AI	\$37.28				
Loose Pickets							
		Part #	White	Part #	Tan	Part #	Khaki
1-3/8" x 1-3/8" Pickets	28-1/2"	138W	\$1.78	138T	\$2.04	138K	\$2.13
1-1/2" x 1-1/2" Turned Spindles	30-3/8"	112W	\$4.05	112T	\$4.65	112K	\$4.86





800 Rt 3 South
 Gambrills MD, 21054
 1-800-833-9310
 410-544-1987
 Fax # 410-923-1090
 www.midatlanticdeckandfence.com
 Sales@madfence.com

36" Tall Glass Panel Railing Kits

NOTE IMPORTANT: The vinyl railings are offered using a 3-1/2" x 3-1/2" T-Rail top rail and a 2 x 3-1/2" bottom rail. Aluminum H-channel in the top and bottom rail on all sections and includes brackets to attach to your posts. The glass panel is 1/4" laminated glass. At this point in time the railing is NOT ICC compliant. Use at your own risk, Mid Atlantic Deck and Fence will not be held responsible for any or all code violations.



Special Order

Part #	Description Single Aluminum Kits	White	Tan	Khaki
VGR-3648-W	36 in Tall X 48 in Wide Glass Railing Straight White	\$175.00	\$204.00	\$205.00
VGR-3672-W	37 in Tall X 72 in Wide Glass Railing Straight White	\$264.00	\$300.00	\$302.00
VGR-3696-W	38 in Tall X 96 in Wide Glass Railing Straight White	\$353.00	\$397.00	\$400.00
VGRS-3648-W	36 in Tall X 48 in Wide Glass Railing Stair White	\$184.00	\$216.00	\$218.00
VGRS-3672-W	37 in Tall X 72 in Wide Glass Railing Stair White	\$277.00	\$317.00	\$319.00
VGRS-3696-W	38 in Tall X 96 in Wide Glass Railing Stair White	\$369.00	\$418.00	\$420.00

Custom sizes are available upon request up to 8' long add 15% for up charge

Glass Railings are custom ordered and NO Refunds Are Accepted.

Please Allow Two To Three Weeks For Delivery !!!!!!!!!!!!!!!!!!!!!!!



800 Rt 3 South
 Gambrills MD, 21054
 1-800-833-9310
 410-544-1987
 Fax # 410-923-1090
 www.midatlanticdeckandfence.com
 Sales@madfence.com

Shipping Available

Vinyl Railings Routed To Accept Decorator Balusters

NOTE IMPORTANT: The vinyl railings are offered using a 3-1/2" x 3-1/2" T-Rail top rail and a 2 x 3-1/2" bottom rail. Aluminum H-channel in the top and bottom rail on all sections and includes brackets to attach to your posts. The balusters are sold separately. At this point in time the railing is NOT ICC compliant however in the near future we will be having it tested to get the railing compliant. use at your own risk, Mid Atlantic Deck and Fence will not be held responsible for any or all code violations.



Balusters Are Sold Separately

Part #	Description	Pickets Per Section	White**	Tan**	Khaki**
VR-48W	4' LONG STRAIGHT TOP T-RAIL, BOTTOM RAIL 2X3-1/2" CUSTOM ROUTED WHITE	10	\$51.00	\$59.00	\$61.00
VR-60W	5' LONG STRAIGHT TOP T-RAIL, BOTTOM RAIL 2X3-1/2" CUSTOM ROUTED WHITE	13	\$61.00	\$70.00	\$73.00
VR-72W	6' LONG STRAIGHT TOP T-RAIL, BOTTOM RAIL 2X3-1/2" CUSTOM ROUTED WHITE	16	\$68.00	\$79.00	\$82.00
VR-96W	8' LONG STRAIGHT TOP T-RAIL, BOTTOM RAIL 2X3-1/2" CUSTOM ROUTED WHITE	21	\$86.00	\$98.00	\$103.00
VR-48SW	4' LONG STAIR TOP T-RAIL, BOTTOM RAIL 2X3-1/2" CUSTOM ROUTED WHITE	10	\$54.00	\$62.00	\$64.00
VR-72SW	6' LONG STAIR TOP T-RAIL, BOTTOM RAIL 2X3-1/2" CUSTOM ROUTED WHITE	16	\$71.00	\$81.00	\$85.00
VR-96SW	8' LONG STAIR TOP T-RAIL, BOTTOM RAIL 2X3-1/2" CUSTOM ROUTED WHITE	21	\$88.00	\$101.00	\$106.00

NOTE: 26" pickets are for wood railings that will not be routed, use the straight and stair connectors to install the pickets. Aluminum P-Channel will replace the H-Channel. **NOTE: 32" Balusters are recommended when routing pickets into top and bottom vinyl rails. The railing height will be 38" tall, recommend 48" post sleeves. Pickets Can be cut to 29" for a 36" railing height.**

Part #	Description	Cost Ea.	Part #	Description	Cost Ea.
DB2613	26" Baluster Black	\$30.00	DB3213	32" Baluster Black	\$42.00
DB2623	26" Baluster White	\$30.00	DB3223	32" Baluster White	\$42.00
DB2633	26" Baluster Clay	\$30.00	DB3233	32" Baluster Clay	\$42.00
DB2643	26" Baluster Forest	\$30.00	DB3243	32" Baluster Forest	\$42.00
DB2653	26" Baluster Bronze	\$30.00	DB3253	32" Baluster Bronze	\$42.00
DB2673	26" Baluster Rust	\$30.00	DB3273	32" Baluster Rust	\$42.00
DB2663	26" Baluster Brushed Stainless	\$69.00	DB3263	32" Baluster Brushed Stainless	\$89.00

10 Pcs. Per Box

Baskets



Part #	Color	Cost Ea.
DB65012	Black	\$12.00
DB65022	White	\$12.00
DB65032	Clay	\$12.00
DB65042	Forest	\$12.00
DB65052	Bronze	\$12.00
DB65072	Rust	\$12.00

Accessories

Collars



Part #	Color	Cost Ea.
DB66012	Black	\$7.00
DB66022	White	\$7.00
DB66032	Clay	\$7.00
DB66042	Forest	\$7.00
DB66052	Bronze	\$7.00
DB66072	Rust	\$7.00

Straight and Stair Baluster Connectors



Straight Connectors

Black Only

DB32632	\$12.00
---------	---------

Stair Angle Connectors

Part #	Color	Cost Ea.
DB33012	Black	\$14.00
DB33022	White	\$14.00
DB33032	Clay	\$14.00
DB33042	Forest Grn	\$14.00
DB33052	Bronze	\$14.00

Fleur- De-Lis		Nouveau		Vineyard		Classical	
Part #	Color	Part #	Color	Part #	Color	Part #	Color
DB60212	Black	DB60312	Black	DB62312	Black	DB64212	Black
DB60222	White	DB60322	White	DB62322	White	DB64222	White
DB60232	Clay	DB60332	Clay	DB62332	Clay	DB64232	Clay
DB60242	Forest	DB60342	Forest	DB62342	Forest	DB64242	Forest
DB60252	Bronze	DB60352	Bronze	DB62352	Bronze	DB64252	Bronze
DB60272	Rust	DB60372	Rust	DB62372	Rust	DB64272	Rust



800 Rt 3 South
 Gambrills MD, 21054
 1-800-833-9310
 410-544-1987
 Fax # 410-923-1090
 www.midatlanticdeckandfence.com
 Sales@madfence.com

Shipping Available

Post Sleeves Can Sleeve Over 4x4 or 6x6 pressure Treated Posts

Part #	Description	White	
			White
PS-4440W	4x4-39" Post Sleeve White		\$9.23
PS-4454W	4x4-48" Post Sleeve White		\$11.36
PS-4496W	4x4-96" Post Sleeve White		\$23.52
PS-44120W	4x4-108" Post Sleeve White		\$28.53
PS-5540W	5x5-39" Post Sleeve White		\$10.27
PS-5554W	5x5-48" Post Sleeve White		\$11.55
PS-5596W	5x5-96" Post Sleeve White		\$21.32
PS-55108W	5x5- 108" Post Sleeve White		\$23.97
PS-66108W	6x6-108" Post Sleeve White		\$65.62
PS-66132W	6x6-132" Post Sleeve White		NA
		Tan	
PS-4440T	4x4-39" Post Sleeve Tan		\$12.17
PS-4454T	4x4-60" Post Sleeve Tan		\$18.27
PS-4496T	4x4-96" Post Sleeve Tan		NA
PS-44120T	4x4-120" Post Sleeve Tan		\$36.53
PS-5540T	5x5-39" Post Sleeve Tan		\$11.33
PS-5554T	5x5-48" Post Sleeve Tan		\$11.93
PS-5596T	5x5-96" Post Sleeve Tan		\$23.85
PS-55108T	5x5- 108" Post Sleeve Tan		NA
		Khaki	
PS-4440K	4x4-39" Post Sleeve Khaki		\$17.89
PS-4448K	4x4-48" Post Sleeve Khaki		\$17.89
PS-4496K	4x4-96" Post Sleeve Khaki		\$35.76
PS-44192K	4x4-192" Post Sleeve Khaki		\$71.52
PS-5540K	5x5-40" Post Sleeve Khaki		\$19.20
PS-5548K	5x5-48" Post Sleeve Khaki		\$19.20
PS-5596K	5x5-96" Post Sleeve Khaki		\$38.39
PS-55108K	5x5- 108" Post Sleeve Khaki		NA



Revised
 6/14/2011

Prices Are Subject To Change Without Notice



9

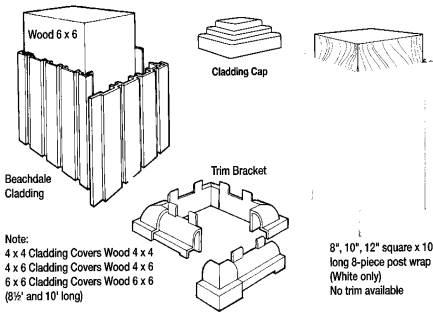


800 Rt 3 South
 Gambrills MD, 21054
 1-800-833-9310
 410-544-1987

Fax # 410-923-1090
 www.midatlanticdeckandfence.com
 Sales@madfence.com

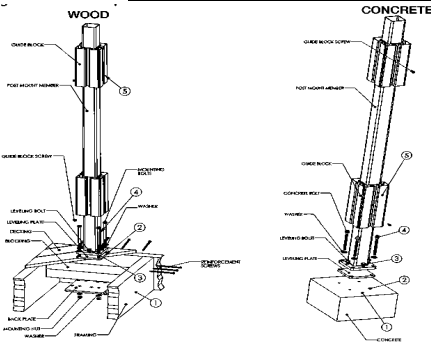
Shipping Available

Wrap and Snap Post Sleeves



Part #	Description	White
LMT-3026	4x4 Post Wrap 96in Long White	\$52.37
LMT-3027	4x4 Post Wrap 120in Long White	\$62.48
LMT-3028	6x6 Post Wrap 96in Long White	\$63.93
LMT-3029	6x6 Post Wrap 120in Long White	\$78.55
SP-WSI66	6x6 Wrap and Snap 10' Long Ivory	\$131.91
LMT-1189	Four Piece Post Trim To Fit 4in & 5in Post Wraps	\$8.02

Post Mounts (Blue- Mount Wood and Concrete)



Part #	Description	Cost Ea.
LMT-1366A	Blu-Mount 36" Post Mount 4" Alum	\$54.20
LMT-1366B	Blu-Mount 36" Post Mount 5" Alum	\$56.07
LMT-1368	Blu- Mount Wood and Composite Applications	\$13.68
LMT-1369	Blu- Mount Concrete Applications	\$9.99
LMT-1367A	Blu-Mount 42" Post Mount 4" Alum	\$56.45
LMT-1367B	Blu-Mount 42" Post Mount 5" Alum	\$58.32

Caution: Not all mounting systems in the industry are tested and passed the minimum load requirements. LMT'S were tested and passed
 Ask for certifications

10

Revised 6/14/2011



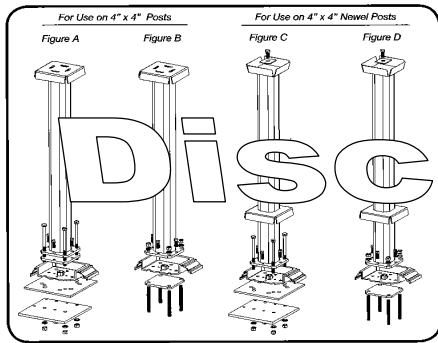
Prices Are Subject To Change Without Notice



800 Rt 3 South
 Gambrills MD, 21054
 1-800-833-9310
 410-544-1987
 Fax # 410-923-1090
 www.midatlanticdeckandfence.com
 Sales@madfence.com

Shipping Available

Posts Surface Mounts (Wood Concrete) Continued



LMT-1367A	Blu-Mount 42" Post Mount 4" Alum	\$56.45
LMT-1367B	Blu-Mount 42" Post Mount 5" Alum	\$58.32
LMT-4009	4x4-38" Post Mount For Wood	\$86.24
		\$59.24

Disc Continued
 Includes mounting brackets for wood or concrete

Caution: Not all mounting systems in the industry are tested and passed the minimum load requirements. LMT'S were tested and passed. Ask for certifications

Porch Columns

Part #	Description	White	Ivory
SP-44CLW	4x4-108" Classic Structural Porch Columns White W/Plates	\$118.83	\$128.75
SP-44COW	4x4-108" Colonial Structural Porch Columns White W/Plates	\$118.83	\$128.75
SP-44TRW	4x4-108" Traditional Structural Porch Columns White W/Plates	\$118.83	\$128.75
SP-55CLW	5x5-108" Classic Structural Porch Columns White W/Plates	\$128.75	\$136.65
SP-55COW	5x5-108" Colonial Structural Porch Columns White W/Plates	\$128.75	\$136.65
SP-55TRW	5x5-108" Traditional Structural Porch Columns White W/Plates	\$128.75	\$136.65

New

CLASSIC

COLONIAL

TRADITIONAL

Important Information

- Structural post are load rated:
 - 4" = 7,500 lbs. (max)
 - 4 1/2" = 11,800 lbs. (max)
 - 5" = 10,500 lbs. (max)
- Uplift approximately:
 - 4" = 1,600 lbs. (max)
 - 4 1/2" = 1,750 lbs. (max)
 - 5" = 1,800 lbs. (max)

Stainless Steel Post Stabilizer

Aluminum Plate



Porch Post Column Accessories

Part #		White	Ivory
SP-4PPW	4" Porch Post Plates White	\$8.56	\$9.85
SP-5PPW	5" Porch Post Plates White	\$9.53	\$10.96
SP-4SKW	4" Storm Kit White	\$26.08	\$30.00
SP-5SKW	5" Storm Kit White	\$32.78	\$37.72






800 Rt 3 South
 Gambrills MD, 21054
 1-800-833-9310
 410-544-1987
 Fax # 410-923-1090
 www.midatlanticdeckandfence.com
 Sales@madfence.com

Shipping Available

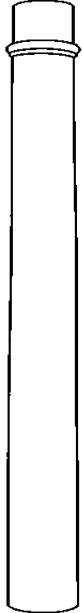
Round And Tapered Vinyl Columns

8" Tapered Fluted Column




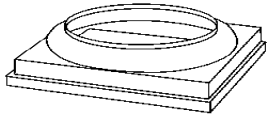
New

10" Tapered Round Column

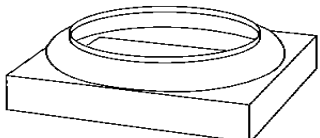


8" Tapered or Straight Round Column

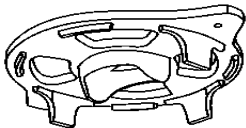




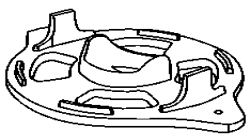
Top Column Trim



Bottom Column Trim




Aluminum Top Column Plates



Aluminum Bottom Column Plates

8" x 9' Square Post w/Trim Set



Important Information

- Smooth structural posts are load rated: 8" or 10" = 18,000 lbs. (max)
- Fluted posts are load rated: 8" = 26,000 lbs. (max)
- Uplift approx. 1,600 lbs. (max)
- Posts don't have seam lines.

Part #	Description	White	Ivory
SP-RTF89W	8" Round Tapered Fluted Column Post 9' Long White	\$337.02	NA
SP-RTF810W	8" Round Tapered Fluted Column Post 10' Long White	\$370.73	\$426.35
SP-SRC89W	8" Round Straight Round Column Post 9' Long White	\$231.70	NA
SP-TRC89W	8" Round Tapered Round Column Post 9' Long White	\$242.24	NA
SP-TRC810W	8" Round Tapered Round Column Post 10' Long White	\$265.41	\$305.23
SP-TRC109W	10" Round Tapered Round Column Post 9' Long White	\$284.36	NA
SP-TRC1010W	10" Round Tapered Round Column Post 10' Long White	\$310.70	\$357.31

Cap And Base For Round Columns

Part #	Description	White	Ivory
SP-TCBB8W	Top Cap And Bottom Base For 8" Column White	\$63.20	\$72.67
SP-TCBB10W	Top Cap And Bottom Base For 10" Column White	\$75.63	\$86.97

Prices Are Subject To Change Without Notice





800 Rt 3 South
 Gambrills MD, 21054
 1-800-833-9310
 410-544-1987
 Fax # 410-923-1090
 www.midatlanticdeckandfence.com
 Sales@madfence.com

Shipping Available

Railing Accessories Post Caps and Brackets



Part #	Description	White	Tan	Khaki
RA-1321W	T- Rail Straight Bracket Kit (T-Rail Bracket, 2 x 3 -1/2" Bracket, Screws and Hole Plugs)	\$7.46	\$8.58	\$8.96



RA-1413W	2" x 3-1/2" 45 Degree Bracket Kit White	\$10.38	\$11.94	\$12.46
----------	-----------------------------------------	---------	---------	---------



RA-1414W	T-Rail 45 Degree Bracket Kit White	\$10.98	\$12.63	\$13.18
----------	------------------------------------	---------	---------	---------



RA-ALKW	Angle Wizard Line Kit Includes 2 - T-Rail Bracket (Part #1436) and 2 - 2x3-1/2 Bottom Bracket Kits (Part #1435)	\$45.28	\$52.08	\$54.34
---------	------------------------------------------------------------------------------------------------------------------	---------	---------	---------



RA-ASKW	Angle Wizard Stair Kit Includes 2 - T-Rail Bracket (Part # 1461) and 2 - 2 x 3-1/2" Bracket (Part # 1460)	\$56.40	\$64.86	\$67.68
---------	-------------------------------------------------------------------------------------------------------------	---------	---------	---------



RA-1357W	T-Rail Stair Bracket Kit White	\$9.68	\$11.14	\$11.62
----------	--------------------------------	--------	---------	---------



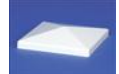
RA-1358W	2" x 3-1/2" 45 Degree Bracket Kit White	\$8.52	\$9.80	\$10.23
----------	-----------------------------------------	--------	--------	---------



RA-1305AT	8" Column Adapter For Straight Bracket	\$4.26	\$4.90	\$5.12
-----------	----------------------------------------	--------	--------	--------



RA-1305BT	8" Column Adapter For Stair Bracket	\$4.54	\$5.23	\$5.45
-----------	-------------------------------------	--------	--------	--------



		White	Tan	Khaki
RA-1003W	4" Flat Cap White	\$0.52	\$0.60	\$0.63
RA-1006W	5" Flat Cap White	\$0.96	\$1.11	\$1.16
RA-1247W	6" Flat Cap White	\$3.18	\$3.66	\$3.82



RA-1117W	4" Ball Cap White	\$6.18	\$7.11	\$7.42
RA-1119W	5" Ball Cap White	\$5.14	\$5.92	\$6.17



RA-1233W	4" Nantucket Cap White	\$3.48	\$4.01	\$4.18
RA-1236W	5" Nantucket Cap White	\$5.86	\$6.74	\$7.04
RA-1302W	6" New England Cap White	\$6.18	\$7.11	\$7.42



Prices Are Subject To Change Without Notice

Revised 6/14/2011



800 Rt 3 South
 Gambrills MD, 21054
 1-800-833-9310
 410-544-1987
 Fax # 410-923-1090
 www.midatlanticdeckandfence.com
 Sales@madfence.com

Shipping Available

Railing Accessories Continued Post Caps and Brackets



		White	Tan	Khaki
RA-1139W	4" Federation Cap White	\$5.14	\$5.92	\$6.17
RA-1140W	5" Federation Cap White	\$5.42	\$6.24	\$6.51
RA-1225W	6" Federation Cap White	\$14.04	\$16.15	\$16.85



RA-1069W	4" New England Post Skirt White	\$1.58	\$1.82	\$1.90
RA-1070W	5" New England Post Skirt White	\$4.22	\$4.86	\$5.07
RA-1301W	6" New England Post Skirt White	\$3.52	\$4.05	\$4.23



RA-1137W	4" Federation Post Skirt White	\$3.46	\$3.98	\$4.16
RA-1138W	5" Federation Post Skirt White	\$3.76	\$4.33	\$4.52
RA-1224W	6" Federation Post Skirt White	\$6.74	\$7.76	\$8.09

Deck Lighting Power Packs and Accessories No Discount

Low Voltage Lighting

The Titan	Part Number	Size	Color	Cost Ea.
	RLA6040	4x4 Vinyl	White	49.99
	RLA6041	4x4 Vinyl	Metallic Coppe	52.99
	RLA6042	4x4 Vinyl	Natural Brown	52.99
	RLA6044	4x4 Vinyl	Verde Green	52.99
	RLA6046	4x4 Vinyl	Clay	52.99
	RLA6048	4x4 Vinyl	Black	52.99
	RLA6049	4x4 Vinyl	Tan	52.99
	RLA604T	4x4 Vinyl	Titanium	52.99

The Titan	Part Number	Size	Color	Cost Ea.
	FLA6040	5X5 Vinyl	White	56.99
	FLA6048	5X5 Vinyl	Black	59.95
	FLA6049	5X5 Vinyl	Tan	59.95

The Sirus	Part Number	Size	Color	Cost Ea.
	RLA6050	4x4 Vinyl	White	49.99
	RLA6052	4x4 Vinyl	Natural Brown	52.99
	RLA6054	4x4 Vinyl	Verde Green	52.99
	RLA6056	4x4 Vinyl	Clay	52.99
	RLA6058	4x4 Vinyl	Black	52.99
	RLA6059	4x4 Vinyl	Tan	52.99

The Sirus	Part Number	Size	Color	Cost Ea.
	FLA6050	5X5 Vinyl	White	56.99
	FLA6059	5X5 Vinyl	Tan	59.99



Step Lights Pyxis

Part Number	Size	Color	Cost Ea.
PLA6000	3-3/4" x 7-1/4"	White	34.99
PLA6001	3-3/4" x 7-1/4"	Metallic Coppe	34.99
PLA6008	3-3/4" x 7-1/4"	Black	34.99

Step Riser Brick light

Part Number	Size	Color	Cost Ea.
CL905	3-1/8"	Black	18.75
CL905K	3-1/8"	Copper	22.95

Eyeball Light (Nebula)

Part Number	Size	Color	Cost Ea.
PLA5000	3-1/2" Diam	White	24.99
PLA5001	3-1/2" Diam	Metallic Coppe	24.99
PLA5002	3-1/2" Diam	Natural Brown	24.99
PLA5005	3-1/2" Diam	Bronze	24.99
PLA5008	3-1/2" Diam	Black	24.99

Flush Mount Led

Part Number	Size	Color	Cost Ea.
LED010WW	3-1/8" Diam	Warm White	95.15
LED011CW	3-1/8" Diam	Cool White	95.15
FLHSSR80MM	3-1/8" Diam	Trim Ring	9.95

Solar Lights Other Colors are Available

Part Number	Size	Color	Cost Ea.
SLA6040	4x4 Vinyl	White	69.99
SLA6048	4x4 Vinyl	Black	72.99
SLA6049	4x4 Vinyl	Tan	72.99
SLF6040	5x5 Vinyl	White	72.99
SLF6048	5x5 Vinyl	Black	75.99
SLF6049	5x5 Vinyl	Tan	75.99

Power Packs/Pig Tails and Wiring

Part Number	Size	Color	Cost Ea.
ML44T	Up to 2 Lights	Black	49.80
527718	Up to 4 Lights	Black	59.98
527726	Up to 6 Lights	Black	72.90
544132	Up to 11 Lights	Black	158.80
ML300TW	Up to 16 Lights	Black	198.40
ML600TW	Up to 32 Lights	Black	319.84
ML900TW	Up to 48 Lights	Black	429.00

Note: All lighting and lighting accessories are not subject to a normal discount

Pig Tails and Low-Voltage Wire

304	100' Heavy Duty 12ga Low Volt Win	84.00
548820	500' Heavy Duty 12ga Low Volt Win	369.00
DLE4410	Pig Tail 60" Long	5.49
DLE4420	Pig Tail 96" Long	6.29

Revised
6/14/2011

Prices Are Subject To Change Without Notice

Secondary Handrail Installation Part 1

Secondary Handrail Installation Instructions

Corner A

Measure from the floor to the top of the bracket. Height should be railing height less 2 inches. Mark post and install brackets.

Align elbow so that there is equal distance from one side of the elbow to the existing railing, as with the other side.

Note: When installing railing into posts that have steel post brackets an aluminum insert is recommended for railing bracket installation. See lower step railing post illustration on back page.

Make sure that the elbow is flat, drill pilot holes and secure with screws.

Screw and Pilot Bit Recommendations:

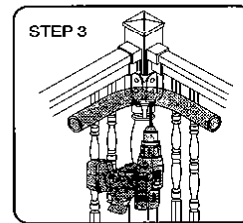
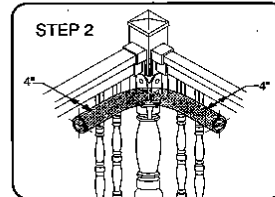
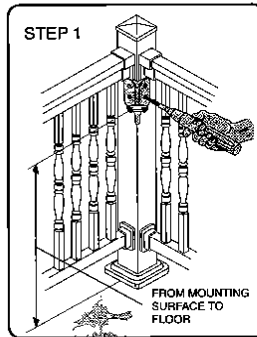
Into Post (A, Step 1) Screw #14 x 1" into an aluminum insert using a 7/32" Pilot Bit or a #14 x 1 1/2" into wood using a 5/32" Pilot Bit - Phillips Bit P3

Into Hand Rail (A, Step 3) Screw #14 x 1" - Pilot Bit 7/32" - Phillips Bit P3

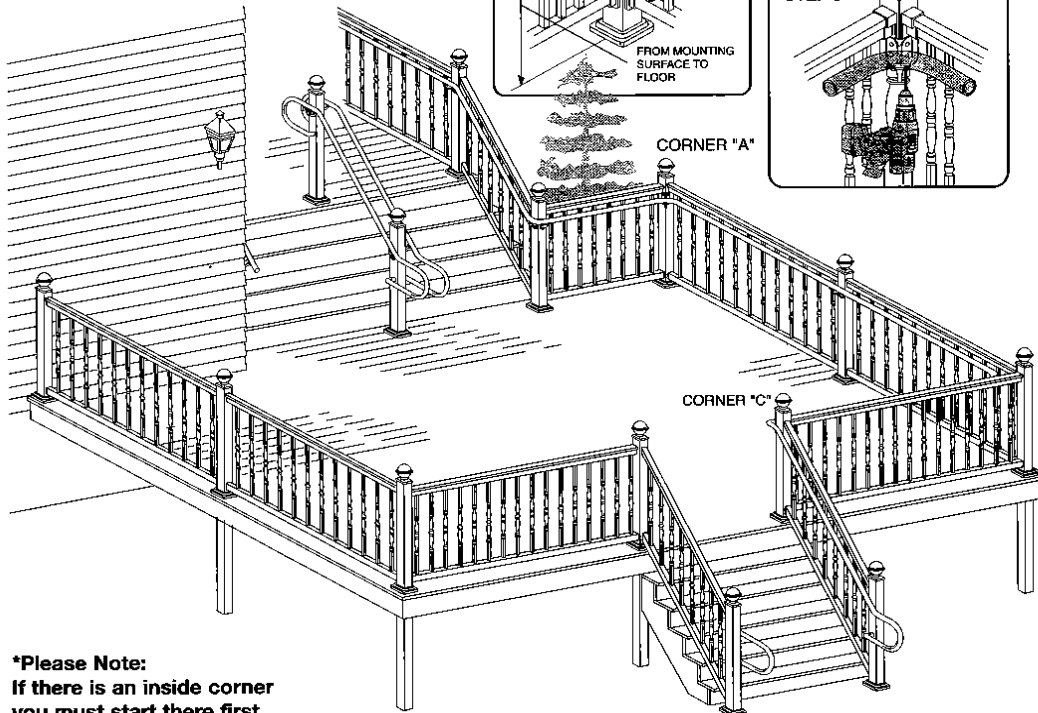
Into Connector (B, Step 3) Screw #10 x 1" - Pilot Bit 5/32", Countersink Drill 9/32", Square Drive #2 Bit



CORNER "A"



CORNER "A"



***Please Note:**
If there is an inside corner
you must start there first.

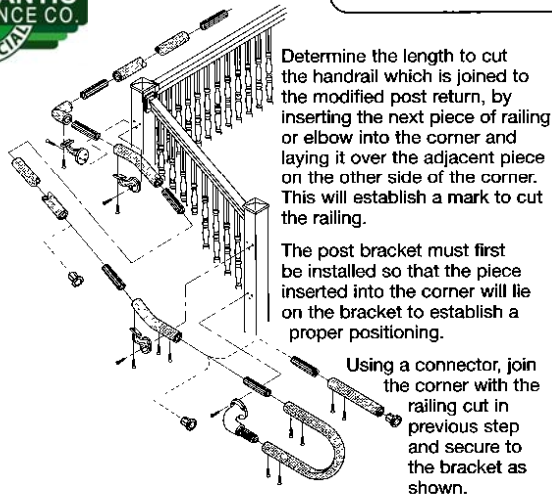
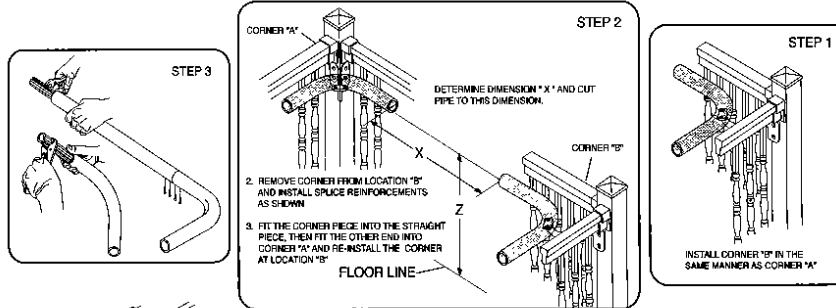
Secondary Handrail Installation Part 2

Secondary Handrail Installation Instructions

Corner B Install elbow using the same instructions as Corner A.

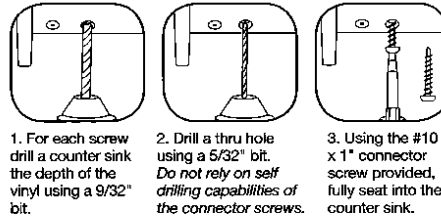
Hand Rail Measure distance between corners A and B (as shown). Add required pieces to corners using connectors. Pump pliers or vise grips can be used to fit connectors into the hand rail as well as tapping, as required, with a heavy rubber mallet. Final length may need to be cut for exact fit. Remove Corner B and fit together with handrail. Return Corner B to bracket and secure with screws.

Where ever two ends of secondary handrail are joined, either to each other or to elbows, tighten the joint by drilling a 9/32" countersink and 5/32" thru hole and securing with screws. Make sure screw heads are smooth. (See Finishing Connections)

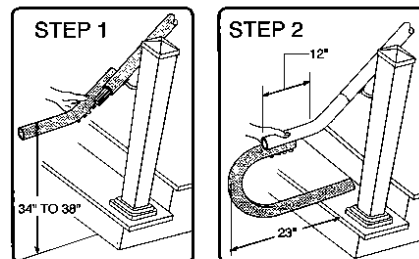


Finishing Connections

On bottom of railing use (2) screws on either side of a connector or (2) screws on a return.

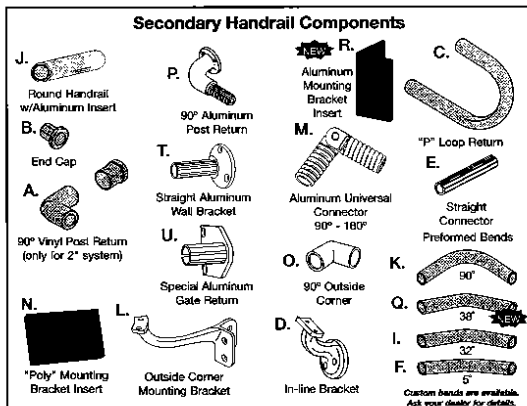


"P" LOOP INSTALLATION



With corner now in place, determine the height of the in-line brackets on a step railing installation by holding a piece of railing in line with the elbow and parallel to the primary railing.

Typically, the secondary railing will be below the level of the primary railing. Install in-line brackets with screws, putting brackets on every post. Continue until ground level post is reached. At this point railing will be terminated in one of a number of ways: either by end capping a straight rail, end capping an elbow, or by using the "P" loop return to meet certain municipal requirements (see options, above).





800 Rt 3 South
Gambrills MD, 21054
1-800-833-9310
410-544-1987
Fax # 410-923-1090
www.midatlanticdeckandfence.com
Sales@madfence.com

Shipping Available

Secondary Handrail Pricing



Wall Return Kit

Part #	Description	White	Almond	Brown	Cost Ea. Black
6000-WHT	Rail With Stiffener 104" White	\$44.40	\$44.40	\$44.40	\$44.40



Wall Return Kit

Part #	Description	White	Almond	Brown	Black
6001-WHT	Wall Return And Cover Plate Kit White	\$18.82	\$18.82	\$18.82	\$18.82



Straight Wall Return

Part #	Description	White	Almond	Brown	Black
6002-WHT	Straight Wall Return Kit White	\$16.26	\$16.26	\$16.26	\$16.26



Handrail Bracket Kit

Part #	Description	White	Almond	Brown	Black
6003-WHT	Hand Rail Bracket Kit White	\$12.91	\$12.91	\$12.91	\$12.91



90 Degree Corner

Part #	Description	White	Almond	Brown	Black
6004-WHT	90 Degree Corner White	\$14.38	\$14.38	\$14.38	\$14.38



End Loop

Part #	Description	White	Almond	Brown	Black
6005-WHT	End Loop White	\$39.00	\$39.00	\$39.00	\$39.00



Post Return

Part #	Description	White	Almond	Brown	Black
6006-WHT	Post Return White	\$39.00	\$39.00	\$39.00	\$39.00



Straight Joiner

Part #	Description	White	Almond	Brown	Black
6007-WHT	Straight Joiner White 4 Pack	\$6.25	\$6.25	\$6.25	\$6.25



Adjustable Joiner

Part #	Description	White	Almond	Brown	Black
6008-WHT	Adjustable Joiner White 4 Pack	\$9.19	\$9.19	\$9.19	\$9.19

Prices Are Subject To Change Without Notice



17

Revised 6/14/2011



800 Rt 3 South
 Gambrills MD, 21054
 1-800-833-9310
 410-544-1987
 Fax # 410-923-1090
 www.midatlanticdeckandfence.com
 Sales@madfence.com

Shipping Available

Secondary Handrail Pricing Continued



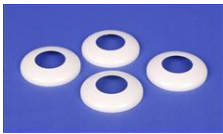
Joint Ring

Part #	Description	White	Almond	Brown	Black
6009-WHT	Joint Ring White 4 Pack	\$4.71	\$4.71	\$4.71	\$4.71



Rail End Cap

Part #	Description	White	Almond	Brown	Black
6010-WHT	Rail End Cap White 4 Pack	\$3.35	\$3.35	\$3.35	\$3.35



Wall Return Cover Plate

Part #	Description	White	Almond	Brown	Black
6011-WHT	Bracket Wall Return Cover Plate White	\$4.71	\$4.71	\$4.71	\$4.71



90 Deg. Inside Corner Bracket

Part #	Description	White	Almond	Brown	Black
6013-WHT	90 Degree Inside Corner Bracket Kit White	\$21.08	\$21.08	\$21.08	\$21.08

